



# CONTEMPORARY GOTHIC

MANNING  
LIGHTING

1

Rods to spreader,  
single chain to  
ceiling hanger

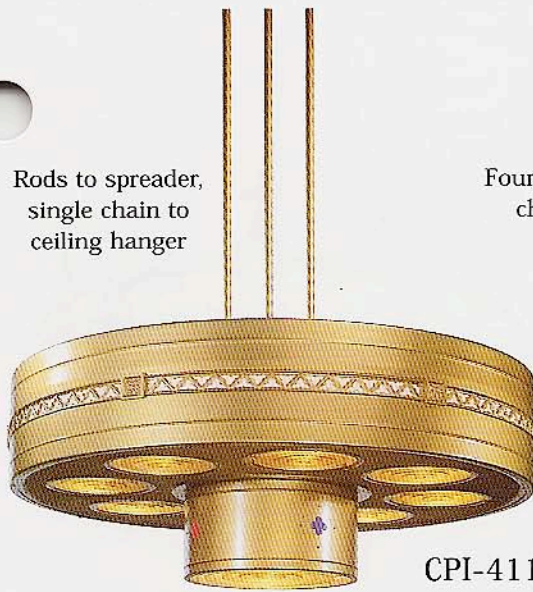
Four rods to spreader, single  
chain to ceiling hanger

Cast Aluminum Details

Wired for two, three or  
four circuits

see specifications page

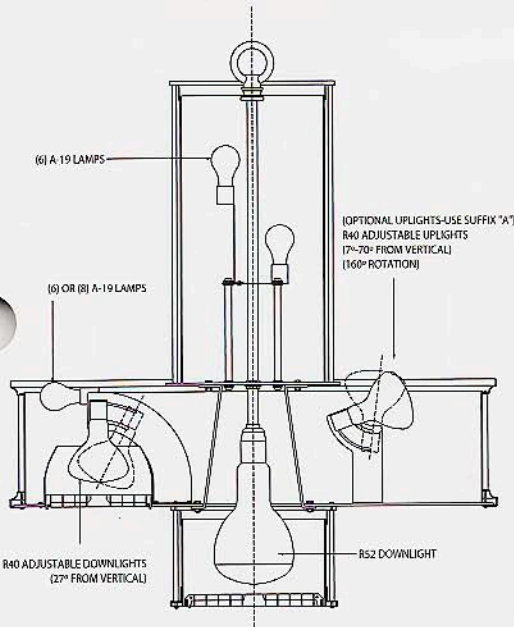
Red and blue inserts  
behind symbols  
optional



CPI-411 Series



LPI-411 Series



## Specifications

NO.	DIA. "D"	HT. "H"	ADJ. OUTER DOWNLIGHTS	CENTER DOWNLIGHT	ADJUSTABLE UPLIGHTS	INTERIOR LIGHTS
LPI-411-40	40"	49"	6-R40(150-300)	1-R52(500-750)	NONE	12-(60-100)
-40A	40"	49"	6-R40(150-300)	1-R52(500-750)	3-R40(150-300)	12-(60-100)
LPI-411-48	48"	57"	8-R40(150-300)	1-R52(500-750)	NONE	14-(60-75)
-48A	48"	57"	8-R40(150-300)	1-R52(500-750)	4-R40(150-300)	14-(60-75)
CPI-411-40	40"	16"	6-R40(150-300)	1-R52(500-750)	NONE	6-(60-100)
-40A	40"	16"	6-R40(150-300)	1-R52(500-750)	3-R40(150-300)	6-(60-100)
CPI-411-48	48"	18"	8-R40(150-300)	1-R52(500-750)	NONE	8-(60-100)
-48A	48"	18"	8-R40(150-300)	1-R52(500-750)	4-R40(150-300)	8-(60-100)

Fluorescent lamps available. Please contact factory.

For speaker provision in center to replace downlight add suffix -x  
Up to 8" dia. speakers in -40 & -40A and up to 12" dia. speakers in -48 & 48A

For optional finishes and  
glass see inside front cover

For matching supplementary equipment see our traditional catalog "T-7" page 2

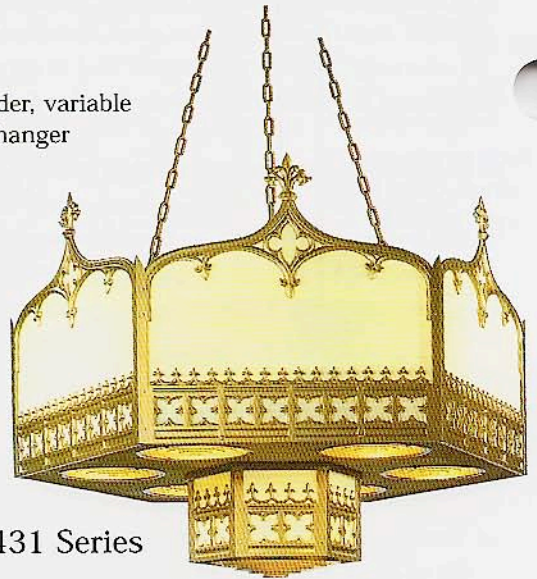
# FRENCH GOTHIC

Cast Aluminum

Wired for two or three circuits

see specifications page

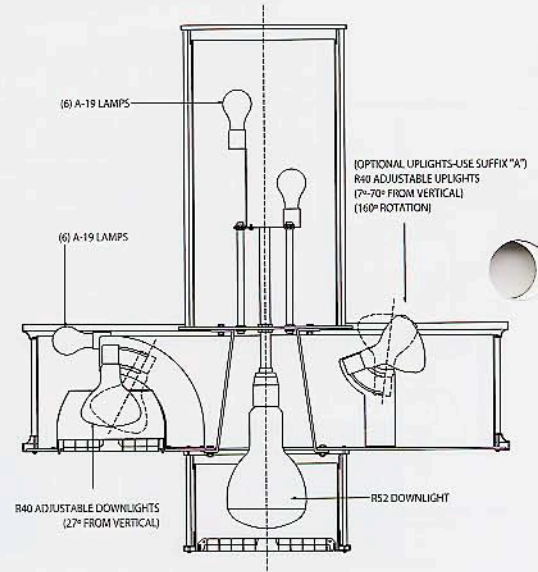
Three 6-foot chains to spreader, variable single chain to ceiling hanger



CPI-431 Series



LPI-431 Series



## Specifications

NO.	DIA. "D"	HT. "H"	ADJ. OUTER DOWNLIGHTS	CENTER DOWNLIGHT	ADJUSTABLE UPLIGHTS	INTERIOR LIGHTS
LPI-431-38	38"	43"	6-R40(150-300)	1-R52(500-750)	NONE	12-(60-100)
-38A	38"	43"	6-R40(150-300)	1-R52(500-750)	3-R40(150-300)	12-(60-100)
LPI-431-48	48"	58"	6-R40(150-300)	1-R52(500-750)	NONE	12-(60-100)
-48A	48"	58"	6-R40(150-300)	1-R52(500-750)	6-R40(150-300)	12-(60-100)
CPI-431-38	38"	26"	6-R40(150-300)	1-R52(500-750)	NONE	6-(60-100)
-38A	38"	26"	6-R40(150-300)	1-R52(500-750)	3-R40(150-300)	6-(60-100)
CPI-431-48	48"	33¼"	6-R40(150-300)	1-R52(500-750)	NONE	6-(60-100)
-48A	48"	33¼"	6-R40(150-300)	1-R52(500-750)	6-R40(150-300)	6-(60-100)

Fluorescent lamps available. Please contact factory.

For speaker provision in center to replace downlight add suffix -x  
Up to 8" dia. speakers in -38 & -38A and up to 12" dia. speakers in -48 & 48A

For matching supplementary equipment see our traditional catalog "T-7" page 1

# ENGLISH GOTHIC

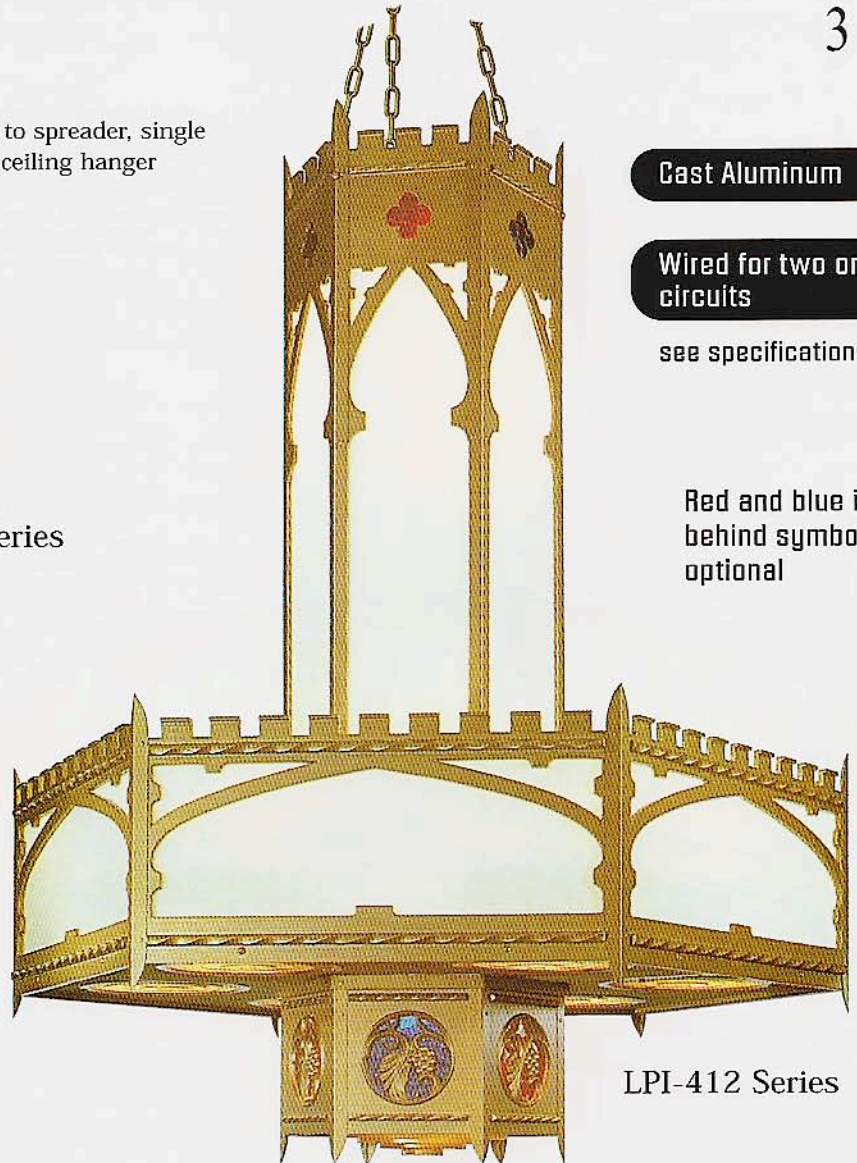
MANNING  
LIGHTING

3



Three chains to spreader, single chain to ceiling hanger

CPI-412 Series



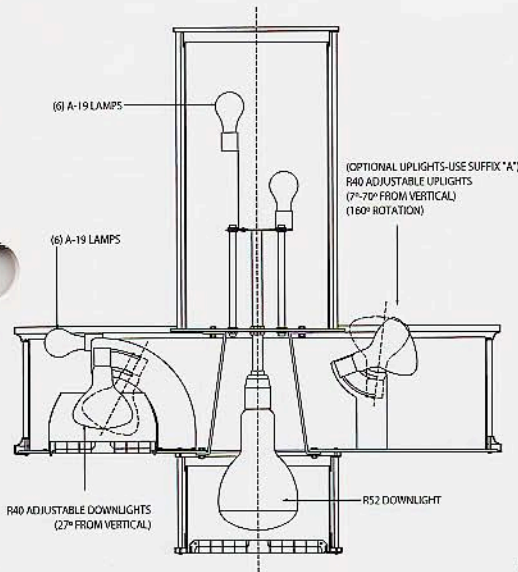
Cast Aluminum

Wired for two or three circuits

see specifications page

Red and blue inserts behind symbols optional

LPI-412 Series



## Specifications

NO.	DIA. "D"	HT. "H"	ADJ. OUTER DOWNLIGHTS	CENTER DOWNLIGHT	ADJUSTABLE UPLIGHTS	INTERIOR LIGHTS
LPI-412-38	38"	44"	6-R40(150-300)	1-R52(500-750)	NONE	12-(60-100)
-38A	38"	44"	6-R40(150-300)	1-R52(500-750)	3-R40(150-300)	12-(60-100)
LPI-412-48	48"	59"	6-R40(150-300)	1-R52(500-750)	NONE	12-(60-100)
-48A	48"	59"	6-R40(150-300)	1-R52(500-750)	6-R40(150-300)	12-(60-100)
CPI-412-38	38"	20"	6-R40(150-300)	1-R52(500-750)	NONE	6-(60-100)
-38A	38"	20"	6-R40(150-300)	1-R52(500-750)	3-R40(150-300)	6-(60-100)
CPI-412-48	48"	22"	6-R40(150-300)	1-R52(500-750)	NONE	6-(60-100)
-48A	48"	22"	6-R40(150-300)	1-R52(500-750)	6-R40(150-300)	6-(60-100)

Fluorescent lamps available. Please contact factory.

For speaker provision in center to replace downlight add suffix -x  
Up to 8" dia. speakers in -38 & -38A and up to 12" dia. speakers in -48 & 48A

For optional finishes and glass see inside front cover

For matching supplementary equipment see our traditional catalog "T-7" page 3

Cast Aluminum

Wired for two or three circuits

see specifications page

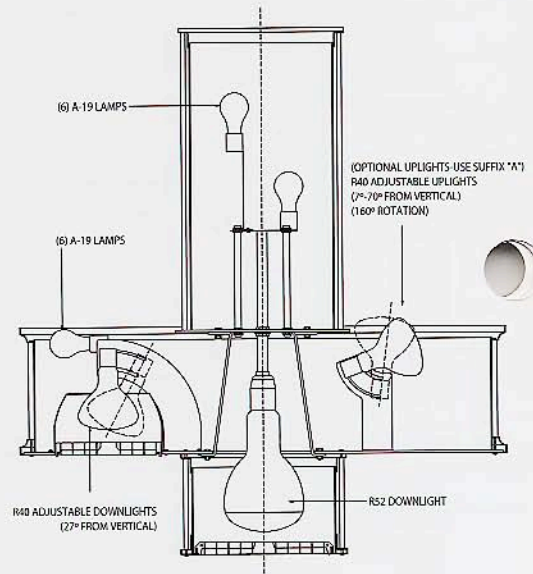
Three chains to spreader, single chain to ceiling hanger



LPI-432 Series



CPI-432 Series



## Specifications

NO.	DIA. "D"	HT. "H"	ADJ. OUTER DOWNLIGHTS	CENTER DOWNLIGHT	ADJUSTABLE UPLIGHTS	INTERIOR LIGHTS
LPI-432-38	38"	49"	6-R40(150-300)	1-R52(500-750)	NONE	12-(60-100)
-38A	38"	49"	6-R40(150-300)	1-R52(500-750)	3-R40(150-300)	12-(60-100)
LPI-432-48	48"	65½"	6-R40(150-300)	1-R52(500-750)	NONE	12-(60-100)
-48A	48"	65½"	6-R40(150-300)	1-R52(500-750)	6-R40(150-300)	12-(60-100)
CPI-432-38	38"	30"	6-R40(150-300)	1-R52(500-750)	NONE	6-(60-100)
-38A	38"	30"	6-R40(150-300)	1-R52(500-750)	3-R40(150-300)	6-(60-100)
CPI-432-48	48"	37"	6-R40(150-300)	1-R52(500-750)	NONE	6-(60-100)
-48A	48"	37"	6-R40(150-300)	1-R52(500-750)	6-R40(150-300)	6-(60-100)

Fluorescent lamps available. Please contact factory.

For speaker provision in center to replace downlight add suffix -x  
Up to 8" dia. speakers in -40 & -40A and up to 12" dia. speakers in -48 & 48A

For matching supplementary equipment see our traditional catalog "T-7" page 4

# GOTHIC

MANNING  
LIGHTING

5

Three chains to spreader, single chain to ceiling hanger

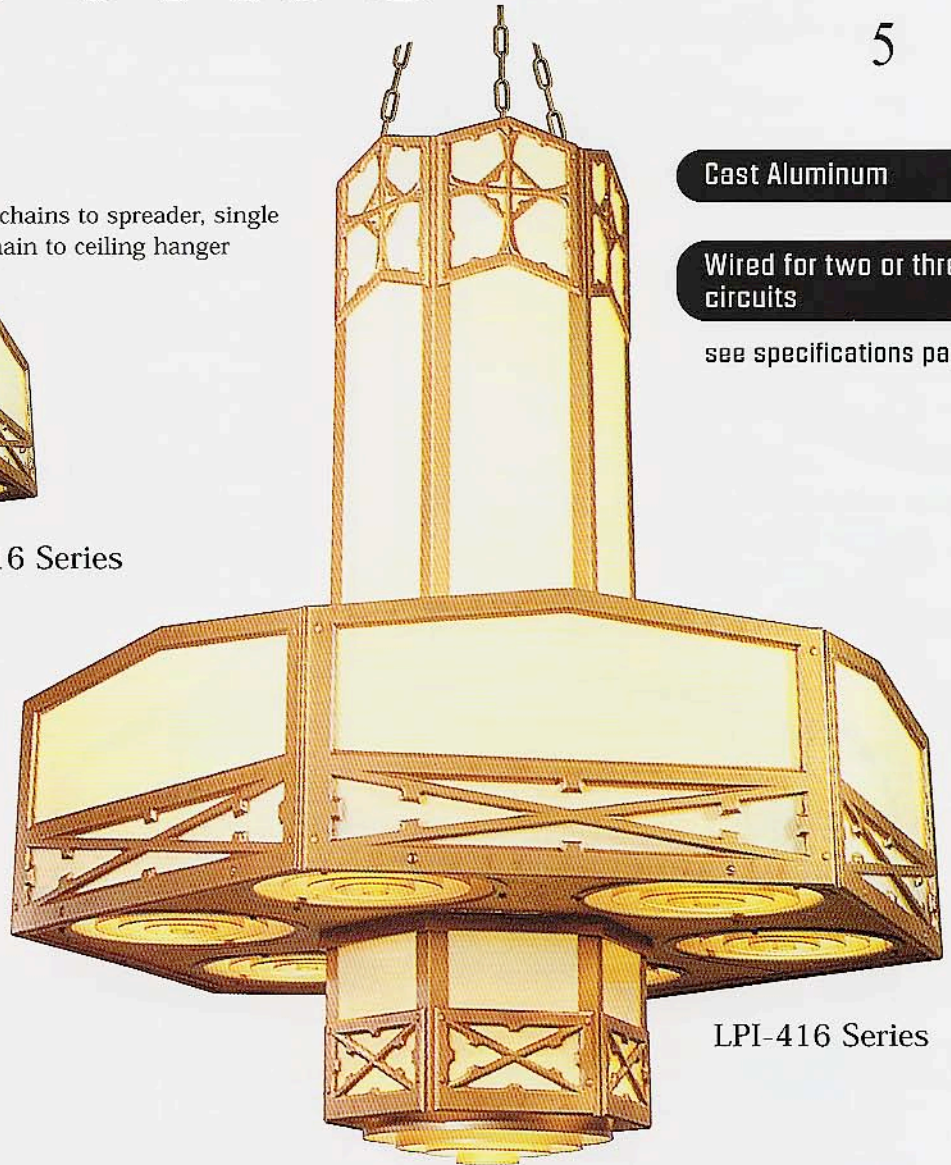


CPI-416 Series

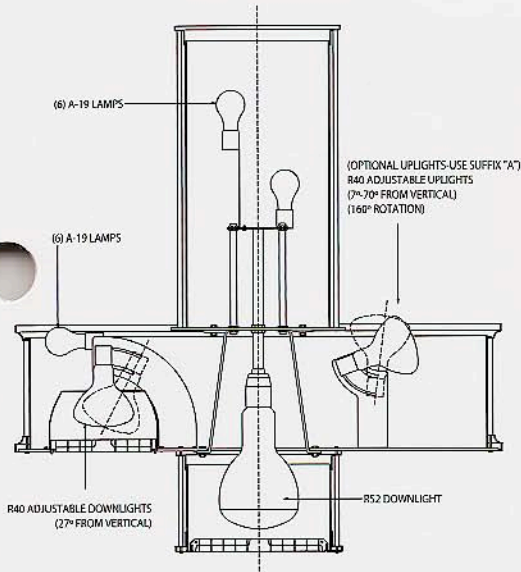
Cast Aluminum

Wired for two or three circuits

see specifications page



LPI-416 Series



## Specifications

NO.	DIA. "D"	HT. "H"	ADJ. OUTER DOWNLIGHTS	CENTER DOWNLIGHT	ADJUSTABLE UPLIGHTS	INTERIOR LIGHTS
LPI-416-38	38"	43"	6-R40(150-300)	1-R52(500-750)	NONE	12-(60-100)
-38A	38"	43"	6-R40(150-300)	1-R52(500-750)	3-R40(150-300)	12-(60-100)
LPI-416-48	48"	58"	6-R40(150-300)	1-R52(500-750)	NONE	12-(60-100)
-48A	48"	58"	6-R40(150-300)	1-R52(500-750)	6-R40(150-300)	12-(60-100)
CPI-416-38	38"	23"	6-R40(150-300)	1-R52(500-750)	NONE	6-(60-100)
-38A	38"	23"	6-R40(150-300)	1-R52(500-750)	3-R40(150-300)	6-(60-100)
CPI-416-48	48"	23"	6-R40(150-300)	1-R52(500-750)	NONE	6-(60-100)
-48A	48"	23"	6-R40(150-300)	1-R52(500-750)	6-R40(150-300)	6-(60-100)

Fluorescent lamps available. Please contact factory.

For speaker provision in center to replace downlight add suffix -x  
Up to 8" dia. speakers in -38 & -38A and up to 12" dia. speakers in -48 & 48A

For optional finishes and glass see inside front cover

For matching supplementary equipment see our traditional catalog "T-7" page 7

# TUDOR GOTHIC

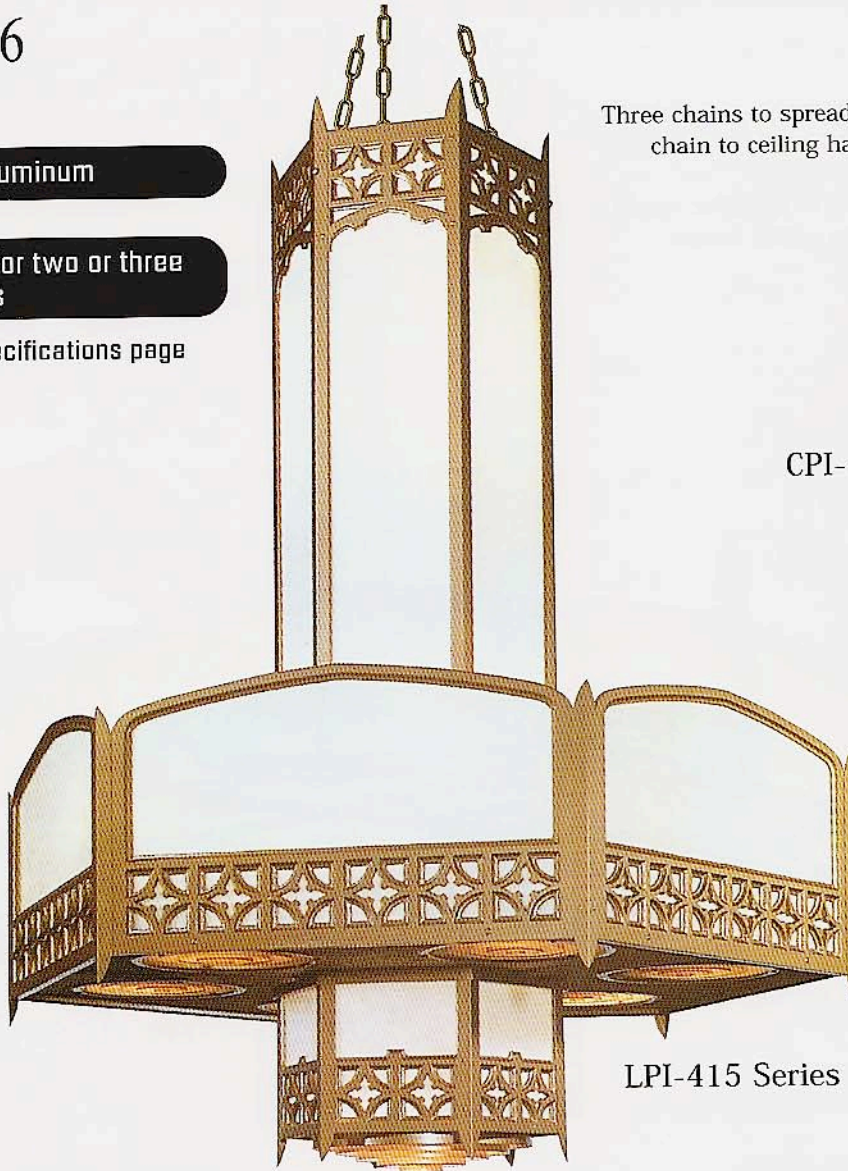
6

Cast Aluminum

Wired for two or three circuits

see specifications page

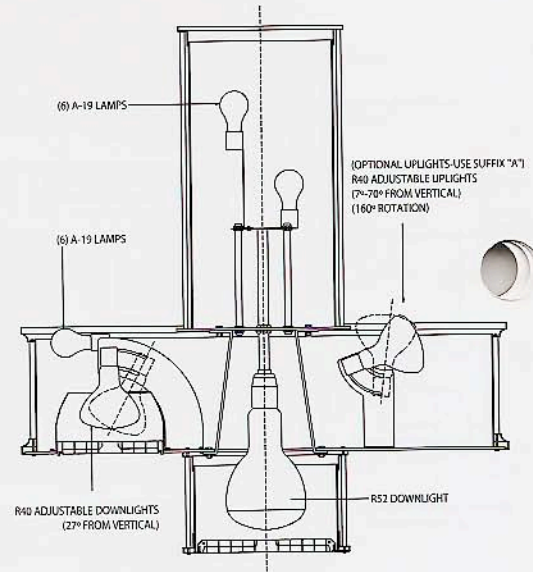
Three chains to spreader, single chain to ceiling hanger



LPI-415 Series



CPI-415 Series



## Specifications

NO.	DIA. "D"	HT. "H"	ADJ. OUTER DOWNLIGHTS	CENTER DOWNLIGHT	ADJUSTABLE UPLIGHTS	INTERIOR LIGHTS
LPI-415-38	38"	44"	6-R40(150-300)	1-R52(500-750)	NONE	12-(60-100)
-38A	38"	44"	6-R40(150-300)	1-R52(500-750)	3-R40(150-300)	12-(60-100)
LPI-415-48	48"	60"	6-R40(150-300)	1-R52(500-750)	NONE	12-(60-100)
-48A	48"	60"	6-R40(150-300)	1-R52(500-750)	6-R40(150-300)	12-(60-100)
CPI-415-38	38"	20"	6-R40(150-300)	1-R52(500-750)	NONE	6-(60-100)
-38A	38"	20"	6-R40(150-300)	1-R52(500-750)	3-R40(150-300)	6-(60-100)
CPI-415-48	48"	25"	6-R40(150-300)	1-R52(500-750)	NONE	6-(60-100)
-48A	48"	25"	6-R40(150-300)	1-R52(500-750)	6-R40(150-300)	6-(60-100)

Fluorescent lamps available. Please contact factory.

For speaker provision in center to replace downlight add suffix -x  
Up to 8" dia. speakers in -38 & -38A and up to 12" dia. speakers in -48 & 48A

For matching supplementary equipment see our traditional catalog "T-7" page 6

# TUDOR GOTHIC

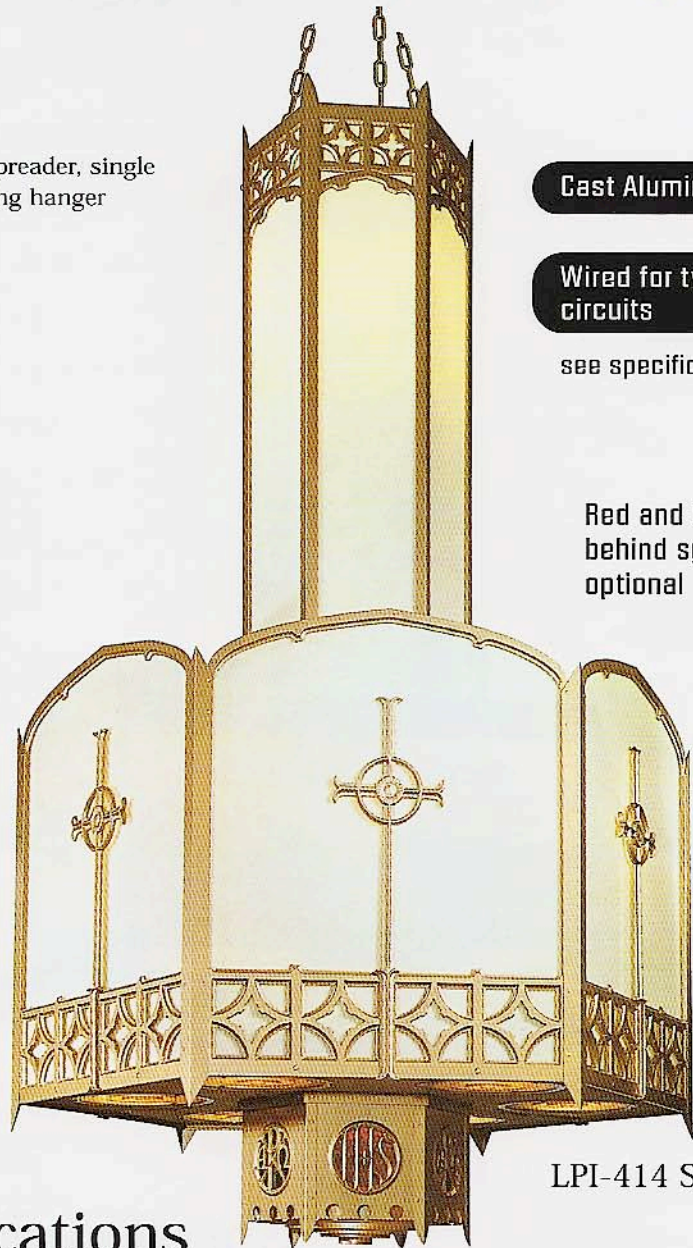
MANNING  
LIGHTING

7



Three chains to spreader, single chain to ceiling hanger

CPI-414 Series



Cast Aluminum

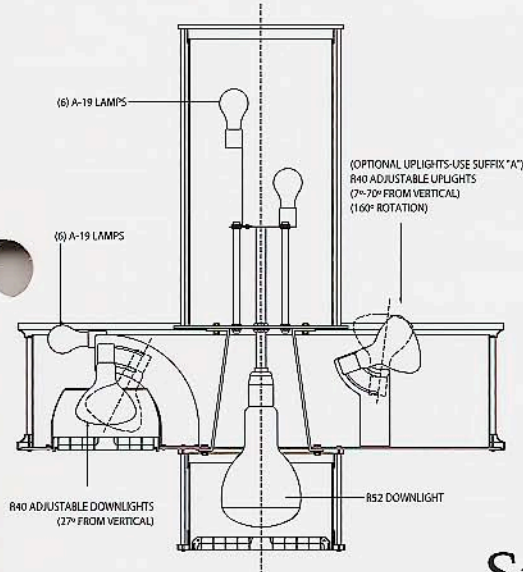
Wired for two or three circuits

see specifications page

Red and blue inserts behind symbols optional

LPI-414 Series

## Specifications



NO.	DIA. "D"	HT. "H"	ADJ. OUTER DOWNLIGHTS	CENTER DOWNLIGHT	ADJUSTABLE UPLIGHTS	INTERIOR LIGHTS
LPI-414-38	38"	63"	6-R40(150-300)	1-R52(500-750)	NONE	12-(60-100)
-38A	38"	63"	6-R40(150-300)	1-R52(500-750)	3-R40(150-300)	12-(60-100)
LPI-414-48	48"	80"	6-R40(150-300)	1-R52(500-750)	NONE	12-(60-100)
-48A	48"	80"	6-R40(150-300)	1-R52(500-750)	6-R40(150-300)	12-(60-100)
CPI-414-38	38"	33"	6-R40(150-300)	1-R52(500-750)	NONE	6-(60-100)
-38A	38"	33"	6-R40(150-300)	1-R52(500-750)	3-R40(150-300)	6-(60-100)
CPI-414-48	48"	40"	6-R40(150-300)	1-R52(500-750)	NONE	6-(60-100)
-48A	48"	40"	6-R40(150-300)	1-R52(500-750)	6-R40(150-300)	6-(60-100)

Fluorescent lamps available. Please contact factory.

For speaker provision in center to replace downlight add suffix -x  
Up to 8" dia. speakers in -38 & -38A and up to 12" dia. speakers in -48 & 48A

For optional finishes and glass see inside front cover

For matching supplementary equipment see our traditional catalog "T-7" page 5

# TRANSITIONAL

8

Reinforced 20GA. Steel

Wired for two or three circuits

see specifications page

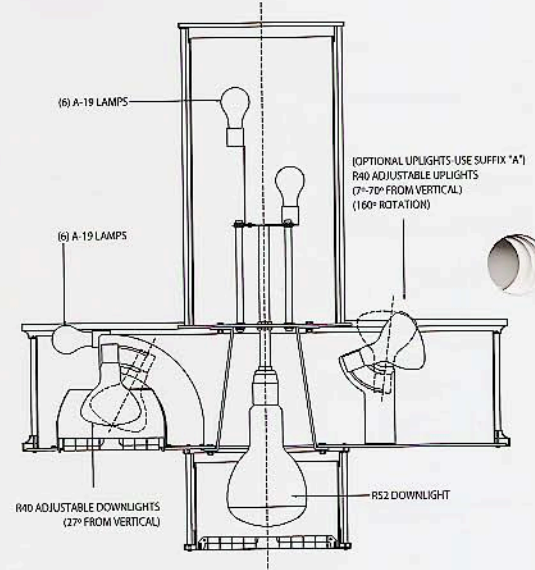
Three chains to spreader, single chain to ceiling hanger



CPI-430 Series



LPI-430 Series



## Specifications

NO.	DIA. "D"	HT. "H"	ADJ. OUTER DOWNLIGHTS	CENTER DOWNLIGHT	ADJUSTABLE UPLIGHTS	INTERIOR LIGHTS
LPI-430-38	38"	44"	6-R40(150-300)	1-R52(500-750)	NONE	12-(60-100)
-38A	38"	44"	6-R40(150-300)	1-R52(500-750)	3-R40(150-300)	12-(60-100)
LPI-430-48	48"	59"	6-R40(150-300)	1-R52(500-750)	NONE	12-(60-100)
-48A	48"	59"	6-R40(150-300)	1-R52(500-750)	6-R40(150-300)	12-(60-100)
CPI-430-38	38"	20"	6-R40(150-300)	1-R52(500-750)	NONE	6-(60-100)
-38A	38"	20"	6-R40(150-300)	1-R52(500-750)	3-R40(150-300)	6-(60-100)
CPI-430-48	48"	23½"	6-R40(150-300)	1-R52(500-750)	NONE	6-(60-100)
-48A	48"	23½"	6-R40(150-300)	1-R52(500-750)	6-R40(150-300)	6-(60-100)

Fluorescent lamps available. Please contact factory.

For speaker provision in center to replace downlight add suffix -x  
Up to 8" dia. speakers in -38 & -38A and up to 12" dia. speakers in -48 & 48A

For matching supplementary equipment see our traditional catalog "T-7" page 14

# GOTHIC

MANNING  
LIGHTING

9

Three chains to spreader, single  
chain to ceiling hanger



CPI-417 Series

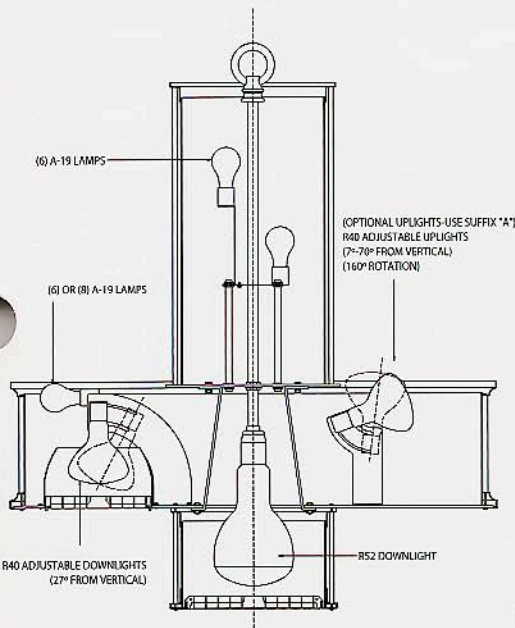


Cast Aluminum

Wired for two, three or  
four circuits

see specifications page

LPI-417 Series



## Specifications

NO.	DIA. "D"	HT. "H"	ADJ. OUTER DOWNLIGHTS	CENTER DOWNLIGHT	ADJUSTABLE UPLIGHTS	INTERIOR LIGHTS
LPI-417-40	40"	58"	6-R40(150-300)	1-R52(500-750)	NONE	12-(60-100)
-40A	40"	58"	6-R40(150-300)	1-R52(500-750)	3-R40(150-300)	12-(60-100)
LPI-417-48	48"	75"	8-R40(150-300)	1-R52(500-750)	NONE	14-(60-75)
-48A	48"	75"	8-R40(150-300)	1-R52(500-750)	4-R40(150-300)	14-(60-75)
CPI-417-40	40"	20"	6-R40(150-300)	1-R52(500-750)	NONE	6-(60-100)
-40A	40"	20"	6-R40(150-300)	1-R52(500-750)	3-R40(150-300)	6-(60-100)
CPI-417-48	48"	23"	8-R40(150-300)	1-R52(500-750)	NONE	8-(60-100)
-48A	48"	23"	8-R40(150-300)	1-R52(500-750)	4-R40(150-300)	8-(60-100)

Fluorescent lamps available. Please contact factory.

For speaker provision in center to replace downlight add suffix -x  
Up to 8" dia. speakers in -40 & -40A and up to 12" dia. speakers in -48 & 48A

For optional finishes and  
glass see inside front cover

For matching supplementary equipment see our traditional catalog "T-7" page 9

# ROMANESQUE

Cast Aluminum

Wired for two, three or four circuits

see specifications page

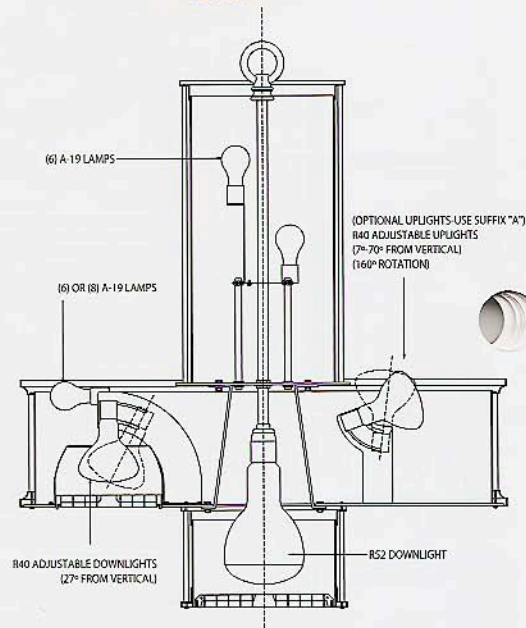
Three chains to spreader, single chain to ceiling hanger



LPI-421 Series



CPI-421 Series



## Specifications

NO.	DIA. "D"	HT. "H"	ADJ. OUTER DOWNLIGHTS	CENTER DOWNLIGHT	ADJUSTABLE UPLIGHTS	INTERIOR LIGHTS
LPI-421-40	40"	62"	6-R40(150-300)	1-R52(500-750)	NONE	12-(60-100)
-40A	40"	62"	6-R40(150-300)	1-R52(500-750)	3-R40(150-300)	12-(60-100)
LPI-421-48	48"	76"	8-R40(150-300)	1-R52(500-750)	NONE	14-(60-75)
-48A	48"	76"	8-R40(150-300)	1-R52(500-750)	4-R40(150-300)	14-(60-75)
CPI-421-40	40"	21"	6-R40(150-300)	1-R52(500-750)	NONE	6-(60-100)
-40A	40"	21"	6-R40(150-300)	1-R52(500-750)	3-R40(150-300)	6-(60-100)
CPI-421-48	48"	22"	8-R40(150-300)	1-R52(500-750)	NONE	8-(60-100)
-48A	48"	22"	8-R40(150-300)	1-R52(500-750)	4-R40(150-300)	8-(60-100)

Fluorescent lamps available. Please contact factory.

For speaker provision in center to replace downlight add suffix -x  
Up to 8" dia. speakers in -40 & -40A and up to 12" dia. speakers in -48 & 48A

For matching supplementary equipment see our traditional catalog "T-7" page 11 & 12

# ROMANESQUE

MANNING  
LIGHTING

11



Three chains to spreader, single chain to ceiling hanger

CPI-433 Series

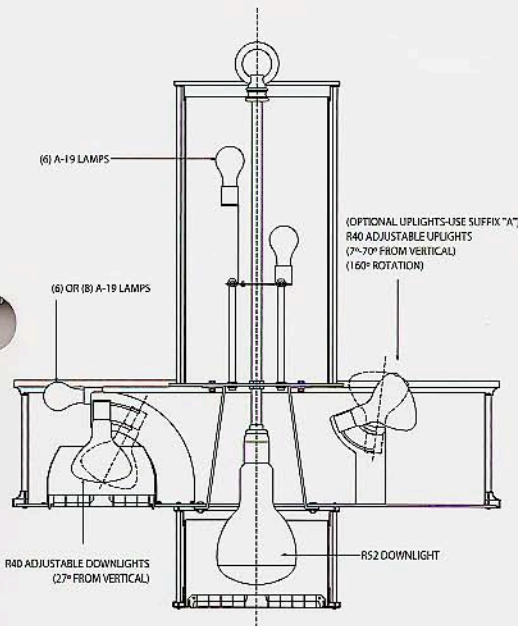


Cast Aluminum

Wired for two, three or four circuits

see specifications page

LPI-433 Series



## Specifications

NO.	DIA. "D"	HT. "H"	ADJ. OUTER DOWNLIGHTS	CENTER DOWNLIGHT	ADJUSTABLE UPLIGHTS	INTERIOR LIGHTS
LPI-433-40	40"	44"	6-R40(150-300)	1-R52(500-750)	NONE	12-(60-100)
-40A	40"	44"	6-R40(150-300)	1-R52(500-750)	3-R40(150-300)	12-(60-100)
LPI-433-48	48"	59"	8-R40(150-300)	1-R52(500-750)	NONE	14-(60-75)
-48A	48"	59"	8-R40(150-300)	1-R52(500-750)	4-R40(150-300)	14-(60-75)
CPI-433-40	40"	21"	6-R40(150-300)	1-R52(500-750)	NONE	6-(60-100)
-40A	40"	21"	6-R40(150-300)	1-R52(500-750)	3-R40(150-300)	6-(60-100)
CPI-433-48	48"	24"	8-R40(150-300)	1-R52(500-750)	NONE	8-(60-100)
-48A	48"	24"	8-R40(150-300)	1-R52(500-750)	4-R40(150-300)	8-(60-100)

Fluorescent lamps available. Please contact factory.

For speaker provision in center to replace downlight add suffix -x  
Up to 8" dia. speakers in -40 & -40A and up to 12" dia. speakers in -48 & 48A

For optional finishes and glass see inside front cover

For matching supplementary equipment see our traditional catalog "T-7" page 11 & 12

# ROMANESQUE

Cast Aluminum

Wired for two or three  
circuits

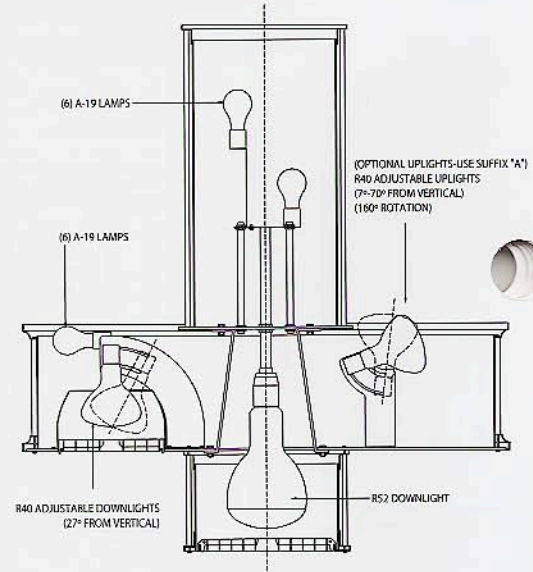
see specifications page

Three chains to spreader, single  
chain to ceiling hanger



CPI-420 Series

LPI-420 Series



## Specifications

NO.	DIA. "D"	HT. "H"	ADJ. OUTER DOWNLIGHTS	CENTER DOWNLIGHT	ADJUSTABLE UPLIGHTS	INTERIOR LIGHTS
LPI-420-38	38"	43"	6-R40(150-300)	1-R52(500-750)	NONE	12-(60-100)
-38A	38"	43"	6-R40(150-300)	1-R52(500-750)	3-R40(150-300)	12-(60-100)
LPI-420-48	48"	56"	6-R40(150-300)	1-R52(500-750)	NONE	12-(60-100)
-48A	48"	56"	6-R40(150-300)	1-R52(500-750)	6-R40(150-300)	12-(60-100)
LPI-420-38	38"	20"	6-R40(150-300)	1-R52(500-750)	NONE	6-(60-100)
-38A	38"	20"	6-R40(150-300)	1-R52(500-750)	3-R40(150-300)	6-(60-100)
LPI-420-48	48"	22"	6-R40(150-300)	1-R52(500-750)	NONE	6-(60-100)
-48A	48"	22"	6-R40(150-300)	1-R52(500-750)	6-R40(150-300)	6-(60-100)

Fluorescent lamps available. Please contact factory.

For speaker provision in center to replace downlight add suffix -x  
Up to 8" dia. speakers in -38 & -38A and up to 12" dia. speakers in -48 & 48A

For matching supplementary equipment see our traditional catalog "T-7" page 13

# SPANISH

MANNING  
LIGHTING

13

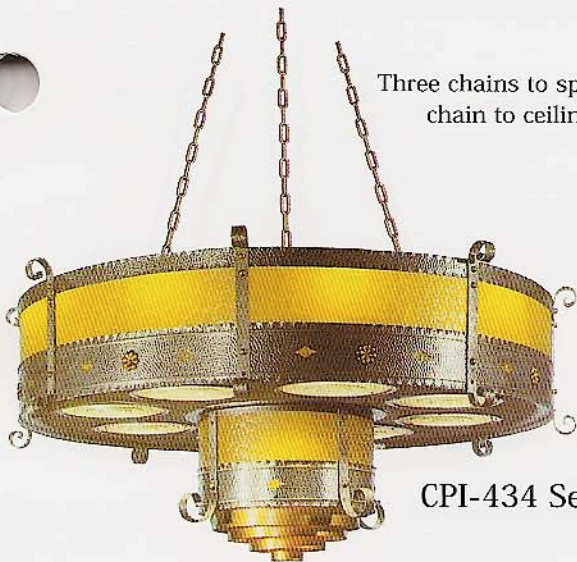
Three chains to spreader, single chain to ceiling hanger

Three chains and stem to spreader, single chain to ceiling hanger

14 GA. Hammered Alum.

Wired for two, three or four circuits

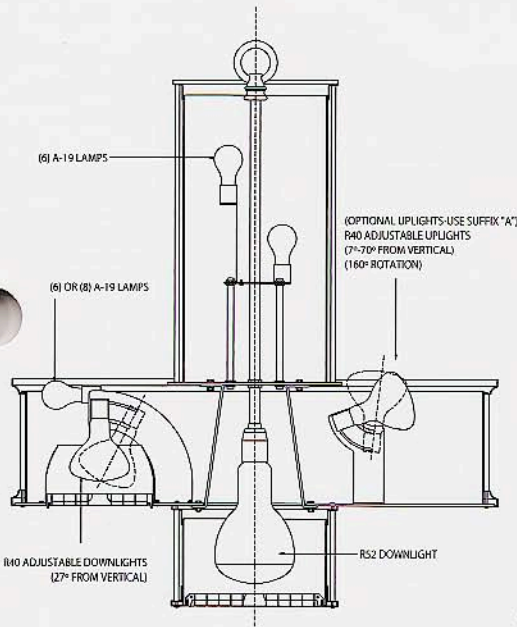
see specifications page



CPI-434 Series



LPI-434 Series



## Specifications

NO.	DIA. "D"	HT. "H"	ADJ. OUTER DOWNLIGHTS	CENTER DOWNLIGHT	ADJUSTABLE UPLIGHTS	INTERIOR LIGHTS
LPI-434-40	40"	42"	6-R40(150-300)	1-R52(500-750)	NONE	12-(60-100)
-40A	40"	42"	6-R40(150-300)	1-R52(500-750)	3-R40(150-300)	12-(60-100)
LPI-434-48	48"	57"	8-R40(150-300)	1-R52(500-750)	NONE	14-(60-75)
-48A	48"	57"	8-R40(150-300)	1-R52(500-750)	4-R40(150-300)	14-(60-75)
CPI-434-40	40"	23"	6-R40(150-300)	1-R52(500-750)	NONE	6-(60-100)
-40A	40"	23"	6-R40(150-300)	1-R52(500-750)	3-R40(150-300)	6-(60-100)
CPI-434-48	48"	23 <sup>3</sup> / <sub>4</sub> "	8-R40(150-300)	1-R52(500-750)	NONE	8-(60-100)
-48A	48"	23 <sup>3</sup> / <sub>4</sub> "	8-R40(150-300)	1-R52(500-750)	4-R40(150-300)	8-(60-100)

Fluorescent lamps available. Please contact factory.

For speaker provision in center to replace downlight add suffix -x  
Up to 8" dia. speakers in -40 & -40A and up to 12" dia. speakers in -48 & 48A

For optional finishes and glass see inside front cover

For matching supplementary equipment see our traditional catalog "T-7" page 15

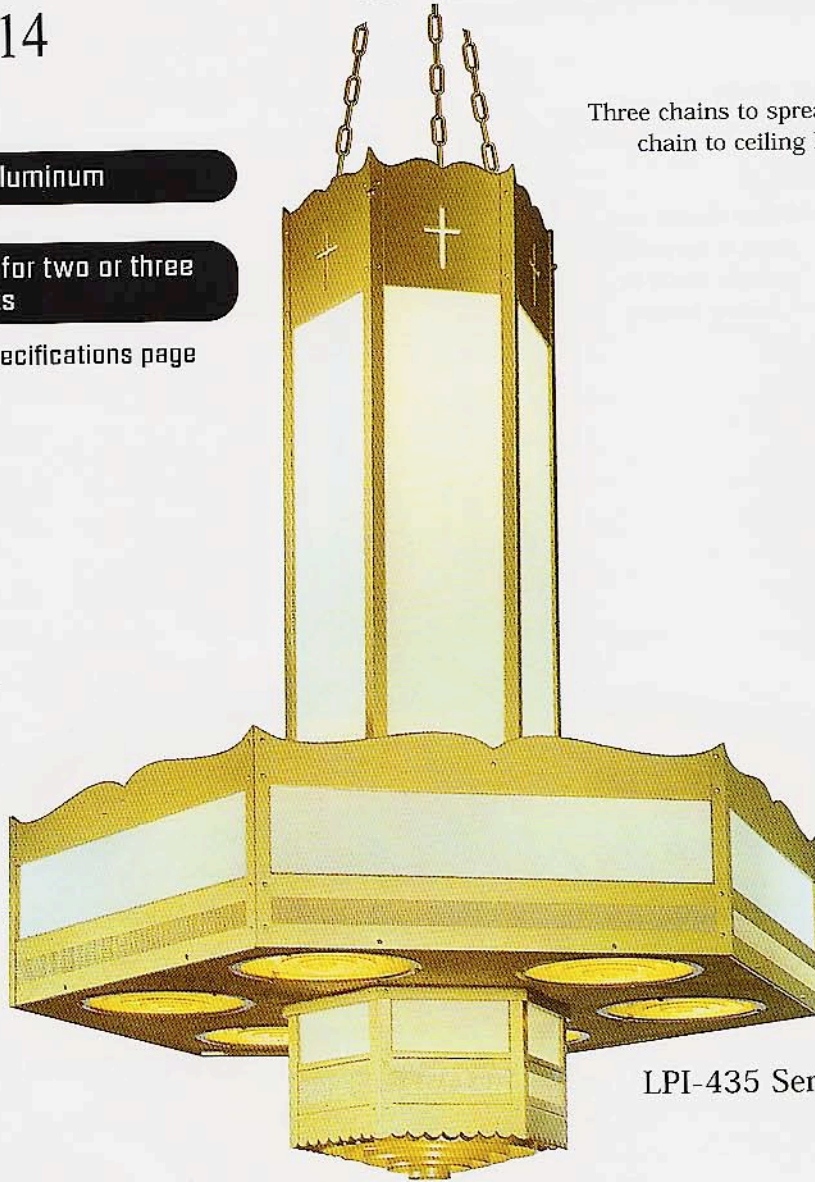
# GEORGIAN

Cast Aluminum

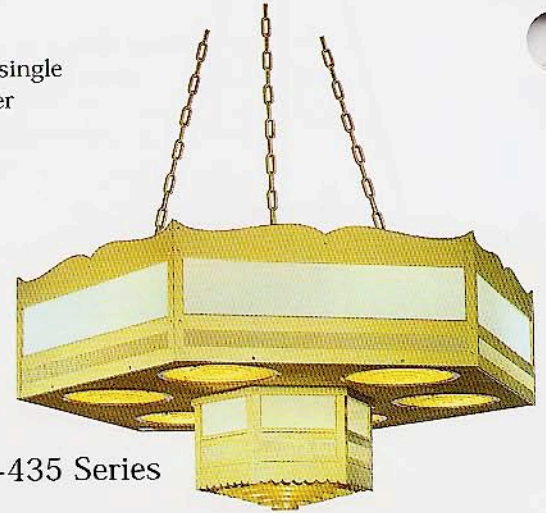
Wired for two or three  
circuits

see specifications page

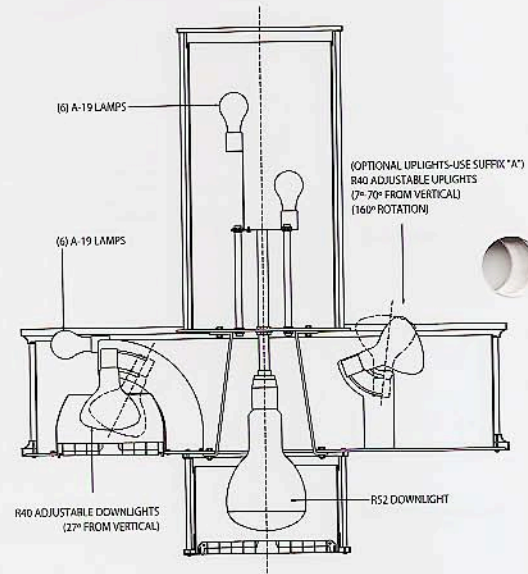
Three chains to spreader, single  
chain to ceiling hanger



LPI-435 Series



CPI-435 Series



## Specifications

NO.	DIA. "D"	HT. "H"	ADJ. OUTER DOWNLIGHTS	CENTER DOWNLIGHT	ADJUSTABLE UPLIGHTS	INTERIOR LIGHTS
LPI-435-38	38"	44"	6-R40(150-300)	1-R52(500-750)	NONE	12-(60-100)
-38A	38"	44"	6-R40(150-300)	1-R52(500-750)	3-R40(150-300)	12-(60-100)
LPI-435-48	48"	57"	6-R40(150-300)	1-R52(500-750)	NONE	12-(60-100)
-48A	48"	57"	6-R40(150-300)	1-R52(500-750)	6-R40(150-300)	12-(60-100)
LPI-435-38	38"	20"	6-R40(150-300)	1-R52(500-750)	NONE	6-(60-100)
-38A	38"	20"	6-R40(150-300)	1-R52(500-750)	3-R40(150-300)	6-(60-100)
LPI-435-48	48"	22"	6-R40(150-300)	1-R52(500-750)	NONE	6-(60-100)
-48A	48"	22"	6-R40(150-300)	1-R52(500-750)	6-R40(150-300)	6-(60-100)

Fluorescent lamps available. Please contact factory.

For speaker provision in center to replace downlight add suffix -x  
Up to 8" dia. speakers in -38 & -38A and up to 12" dia. speakers in -48 & 48A

For matching supplementary equipment see our traditional catalog "T-7" page 16

# COLONIAL

MANNING  
LIGHTING

15

Single chain to ceiling hanger

Three chains to spreader, single  
chain to ceiling hanger



CPI-436 Series

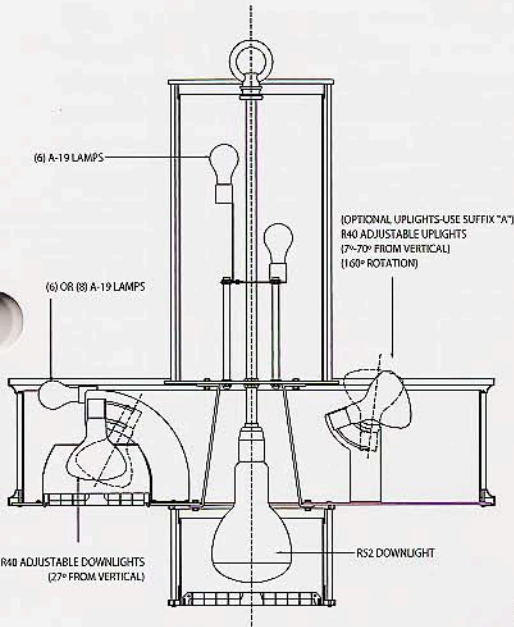
16 GA. Aluminum

Wired for two, three or  
four circuits

see specifications page



LPI-436 Series



## Specifications

NO.	DIA. "D"	HT. "H"	ADJ. OUTER DOWNLIGHTS	CENTER DOWNLIGHT	ADJUSTABLE UPLIGHTS	INTERIOR LIGHTS
LPI-436-40	40"	49"	6-R40(150-300)	1-R52(500-750)	NONE	12-(60-100)
-40A	40"	49"	6-R40(150-300)	1-R52(500-750)	3-R40(150-300)	12-(60-100)
LPI-436-48	48"	64"	8-R40(150-300)	1-R52(500-750)	NONE	14-(60-75)
-48A	48"	64"	8-R40(150-300)	1-R52(500-750)	4-R40(150-300)	14-(60-75)
CPI-436-40	40"	20"	6-R40(150-300)	1-R52(500-750)	NONE	6-(60-100)
-40A	40"	20"	6-R40(150-300)	1-R52(500-750)	3-R40(150-300)	6-(60-100)
CPI-436-48	48"	23"	8-R40(150-300)	1-R52(500-750)	NONE	8-(60-100)
-48A	48"	23"	8-R40(150-300)	1-R52(500-750)	4-R40(150-300)	8-(60-100)

Fluorescent lamps available. Please contact factory.

For speaker provision in center to replace downlight add suffix -x  
Up to 8" dia. speakers in -40 & -40A and up to 12" dia. speakers in -48 & 48A

For optional finishes and  
glass see inside front cover

For matching supplementary equipment see our traditional catalog "T-7" page 17

# COLONIAL

Aluminum and Steel

Wired for two, three or four circuits

see specifications page

Three chains to spreader, single chain to ceiling hanger

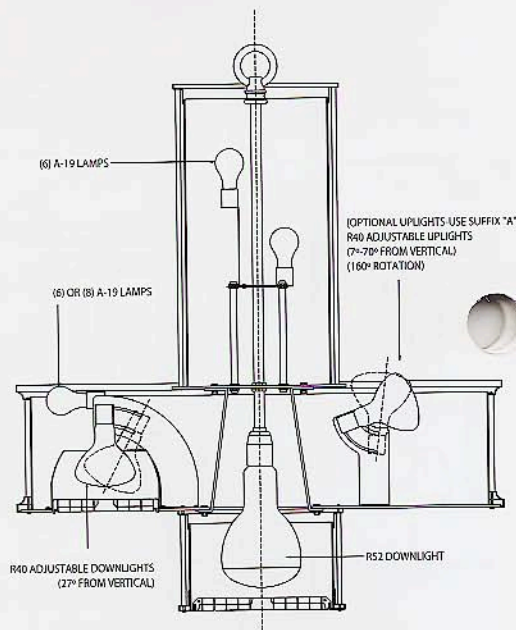
Single chain to ceiling hanger



CPI-422 Series



LPI-422 Series



## Specifications

NO.	DIA. "D"	HT. "H"	ADJ. OUTER DOWNLIGHTS	CENTER DOWNLIGHT	ADJUSTABLE UPLIGHTS	INTERIOR LIGHTS
LPI-422-40	40"	57"	6-R40(150-300)	1-R52(500-750)	NONE	12-(60-100)
-40A	40"	57"	6-R40(150-300)	1-R52(500-750)	3-R40(150-300)	12-(60-100)
LPI-422-48	48"	69"	8-R40(150-300)	1-R52(500-750)	NONE	14-(60-75)
-48A	48"	69"	8-R40(150-300)	1-R52(500-750)	4-R40(150-300)	14-(60-75)
CPI-422-40	40"	19"	6-R40(150-300)	1-R52(500-750)	NONE	6-(60-100)
-40A	40"	19"	6-R40(150-300)	1-R52(500-750)	3-R40(150-300)	6-(60-100)
CPI-422-48	48"	19"	8-R40(150-300)	1-R52(500-750)	NONE	8-(60-100)
-48A	48"	19"	8-R40(150-300)	1-R52(500-750)	4-R40(150-300)	8-(60-100)

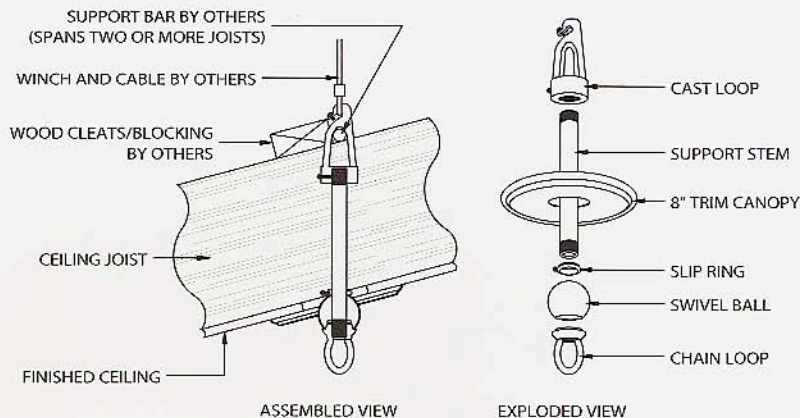
Fluorescent lamps available. Please contact factory.

For speaker provision in center to replace downlight add suffix -x  
Up to 8" dia. speakers in -40 & -40A and up to 12" dia. speakers in -48 & 48A

For matching supplementary equipment see our traditional catalog "T-7" page 18

# FIXTURE SPECIFICATIONS

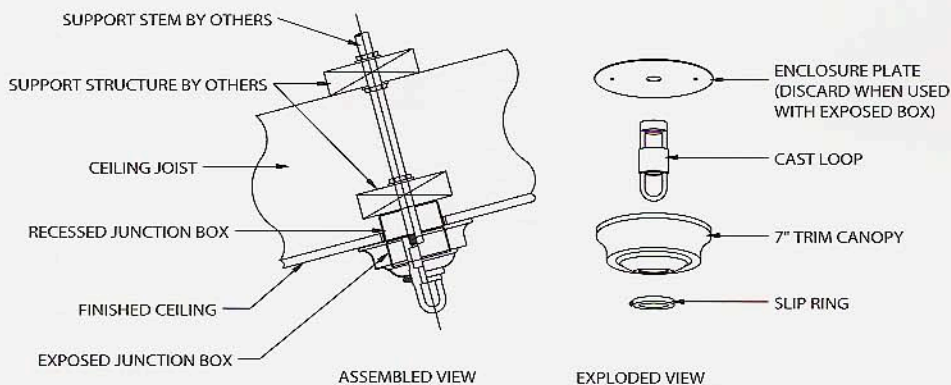
## Standard Suspension Hangers and Hanging Methods



### TYPE "A" CHAIN HANGER

#### FOR USE WITH A WINCH TYPE LOWERING DEVICE

Type "A" hangers are used when lowering the fixture is desired for ease of cleaning and relamping. A 1/2" to 3/4" diameter steel support bar is recommended along with wood cleats or blocking to properly support and secure the fixture and hanger from the ceiling joists or other structural members. Outlet boxes and receptacles along with disconnect plugs may be installed adjacent to the hanger to disconnect power prior to lowering the fixture. Exact details are dependent upon actual field conditions including fixture weight, joist spacing, and slope of ceiling. Local codes are the responsibility of others. The support stem can be made to order, however, unless specified, an 18" long stem will be provided. The trim canopy is self-aligning to fit the slope of ceilings up to 45° maximum. A 4" diameter hole is required in the finished ceiling for the stem and cast loop to pass through. All lowering devices, cables and support members are to be provided by others.



### TYPE "B" CHAIN HANGER

#### FOR USE WITH A FIXED OUTLET BOX (RECESSED OR EXPOSED)

Type "B" hangers are used when mounting of the fixture directly to the ceiling is desired. A 1/2" I.P. steel support stem is required for fixtures up to 200 lbs. and 3/4" I.P. for those weighing 200 lbs. or more. Stems are to extend 3/4" below and perpendicular to finished ceiling. Stems must be provided and secured to structure by others. Exact details are dependent upon actual field conditions including fixture weight, joist spacing, slope of ceiling. Local codes are the responsibility of others. The trim canopy is self-aligning to fit the slope of ceilings up to 45° maximum and can be lowered for making wire connections. A 4" minimum (depending upon quantity of wires and circuits) recessed or exposed octagon junction box is required for termination of wiring.

**When ordering, please specify:**

- overall height from ceiling to bottom of fixture
- painted finish and acrylic color

## CIRCUITRY

### Hexagon Units

#### 38" & 48" CPI & LPI Units

##### WITHOUT UPLIGHTS:

[2 circuits/2 neutrals]

Circuit #1-300W R40 downlights

Circuit #2-750W R52 downlight and 100W A19 lamps

##### WITH UPLIGHTS:

[3 circuits/3 neutrals]

Circuit #1-300W R40 downlights

Circuit #2-300W R40 uplights

Circuit #3-750W R52 downlight and 100W A19 lamps

### Round Units

#### 40" CPI & LPI Units

##### WITHOUT UPLIGHTS:

[2 circuits/2 neutrals]

Circuit #1-300W R40 downlights

Circuit #2-750W R52 downlight and 100W A19 lamps

##### WITH UPLIGHTS:

[3 circuits/3 neutrals]

Circuit #1-300W R40 downlights

Circuit #2-300W R40 uplights

Circuit #3-750W R52 downlight and 100W A19 lamps

#### 48" CPI & LPI Units

##### WITHOUT UPLIGHTS:

[3 circuits/3 neutrals]

Circuit #1-[4] 300W R40 downlights

Circuit #2-[4] 300W R40 downlights

Circuit #3-750W R52 downlight and 75W A19 lamps

##### WITH UPLIGHTS:

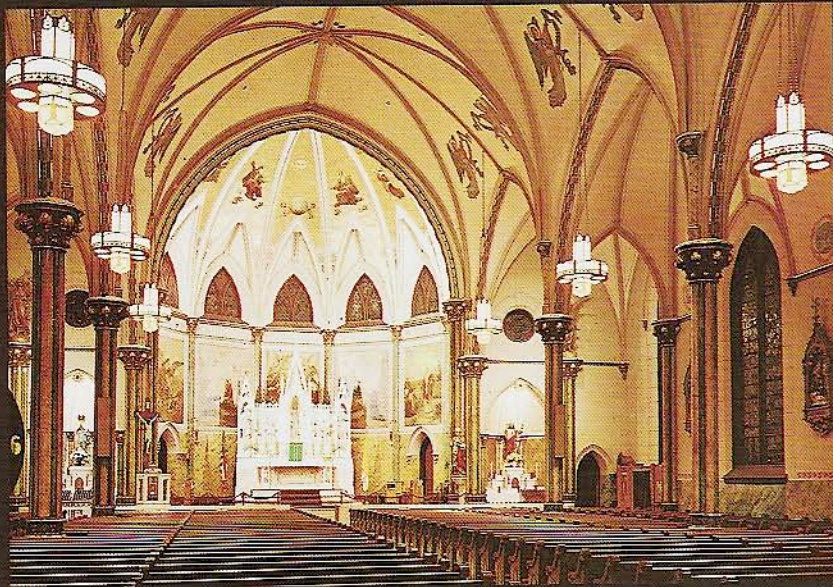
[4 circuits/4 neutrals]

Circuit #1-[4] 300W R40 downlights

Circuit #2-[4] 300W R40 downlights

Circuit #3-300W R40 uplights

Circuit #4-750W R52 downlight and 100W A19 lamps



## A tradition of quality.

Manning Lighting has been illuminating churches and other religious buildings since 1948. Each fixture is manufactured by expert craftspeople and built to your specifications.

For matching equipment for other interior and exterior locations, please see our Traditional Church Lighting Catalog. Contemporary and Colonial Church Lighting catalogs also available.



1810 North Ave., P.O. Box 1063,  
Sheboygan, WI 53082  
Phone: 920-458-2184 Fax: 920-458-2491  
Email: [info@manningltg.com](mailto:info@manningltg.com)  
Website: [www.manningltg.com](http://www.manningltg.com)

