

UPDATED 5/16

922 NEW **LED**

INDIRECT POST TOP

Design
Sustainability
Value

DESIGN: RANDY BORDEN



Note that the fixtures are 75 feet apart.

FEATURES

- Low impact, low glare and low energy.
- Dark sky compliant.
- Broad, smooth indirect lighting.
- Available with two hood styles.

MATERIALS

- Spun aluminum hood.
- Reflector is painted high-reflectance matte white.
- Post is aluminum with painted finish.

FINISHES

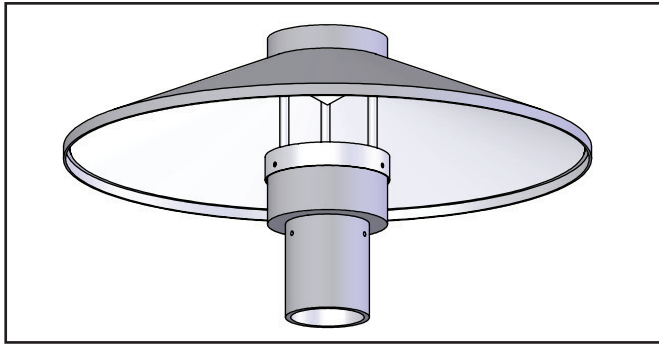
- | | |
|-----------------------------|--|
| SGB Semi-Gloss Black | SGBZ Semi-Gloss Bronze |
| SGW Semi-Gloss White | SGS Semi-Gloss Silver |
| | CCP Custom Color Painted Finish |

LAMPING

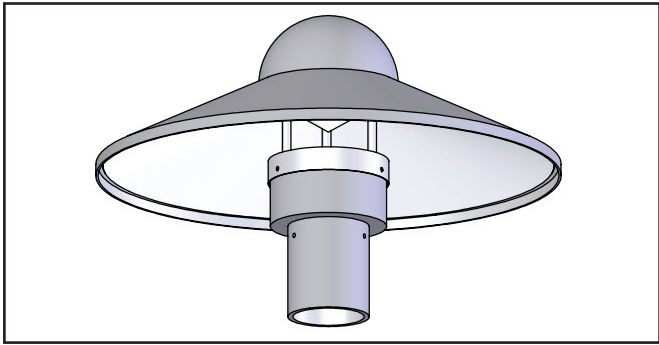
1-16W LED array, 2120 lumens, 1-23W, 2810 lumens or 1-31W, 4050 lumens. All are 3000K, 80+ CRI. LED arrays are included and easily replaced. Note: 2700K and 4000K available.

DRIVER

Integral HPF electronic driver, 120/277 volt, 0-10V dimmable. 2-wire triac dimming available for 120V.

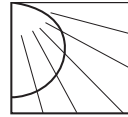
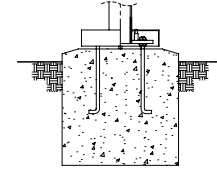
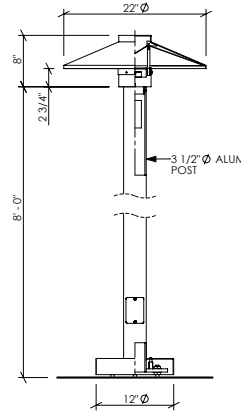


Flat Hood FH



Dome Hood DH

922 INDIRECT POST TOP



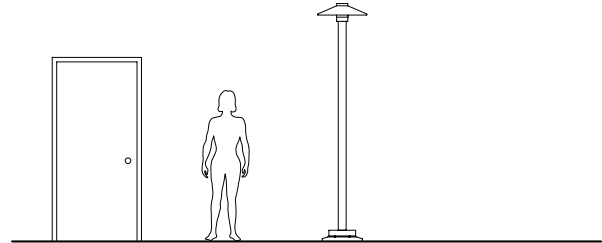
PHOTOMETRICS

LSI Report No. 29246

The array tested was rated at 2500 lumens; adjust lumens up or down for the 17W and 32W arrays.

OPTIONS

The 922 is available with two different style hoods. For the more contemporary flat top style, specify FH. For the dome style hood specify DH.



SPEC GUIDE

SAMPLE SPEC: 922-LED/25-120-SGBZ-FH-8'-0" OA

CAT#	LAMPING	VOLT	FINISH	OPTION	OA
<input type="checkbox"/> 922	<input type="checkbox"/> LED/17 <input type="checkbox"/> LED/25 <input type="checkbox"/> LED/32	<input type="checkbox"/> 120	<input type="checkbox"/> SGB <input type="checkbox"/> SGW <input type="checkbox"/> SGBZ <input type="checkbox"/> SGS <input type="checkbox"/> CCP	<input type="checkbox"/> FH (Flat Hood) <input type="checkbox"/> DH (Dome Hood)	<input type="checkbox"/> 8'-0" STD <input type="checkbox"/> SPECIFY



Our fixtures are handcrafted here in the USA using the highest quality materials.