

818

TABLE & FLOOR LAMP

Design
Sustainability
Value



Design: Randy Borden

818-TL Shown with Metal Dome and Satin Aluminum Finish.



Dimming switch.



FEATURES

- Clean design & extra lamp shielding.
- Available with luminous or solid dome.
- Optional dimming switch shown at left.

MATERIALS

- Solid brass or aluminum metal work, hand finished.
- Luminous cone is white acrylic.
- White or black cord & plug.

FINISHES

- SAL** Satin Aluminum
SB Satin Brass
AB Antique Brass

Standard metal finishes are hand satined and either waxed or sealed with a water-based clear coat. Other metal finishes are available. Contact factory.

LAMPS

CF: One CF 26 triple twin tube 4-pin, 2700K, non-amalgam, lamp supplied with table and floor lamp. Ballast will operate 26 or 32W triple tube lamps.

Note that only 26W lamp is supplied.

LED: 1-GU24 base A-lamp, 12W, 1100 lumens, 3000K, 80+ CRI, supplied.

BALLAST

Electronic HPF, Class P, Sound Rated A, with end-of-lamp life circuitry and thermal protection.

ECO INFO

METALS: Aluminum and brass with the highest available recycled content for lower embodied energy. Both metals are valuable and recyclable at the end of the product's useful life. For more information see "GENERAL INFO"

FINISHING: Aluminum and Antique Brass finishes are sealed with a hand-applied bees wax. No paint or lacquer is used in order to avoid pollution associated with the manufacture and application of these substances. Satin Brass is clear-coated with a very low VOC water-based coating. Paint finishes are low VOC and oven cured.

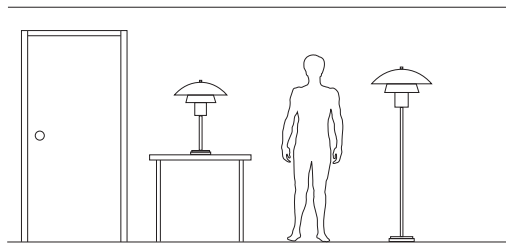
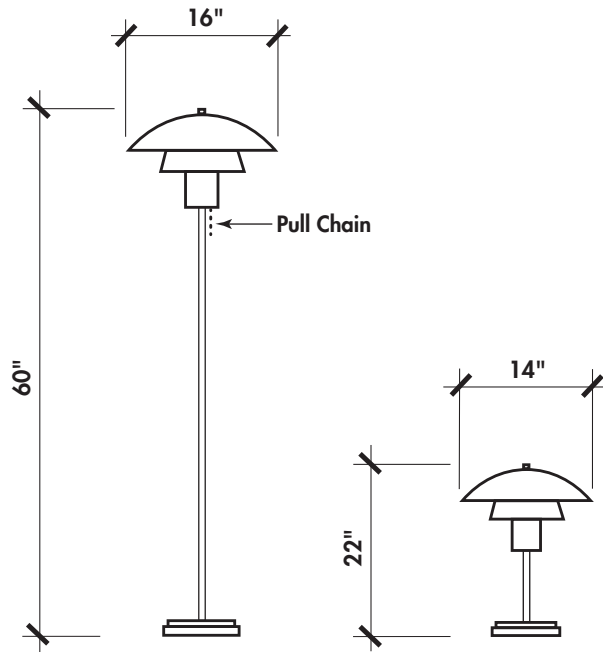
ENERGY: Designed exclusively for compact fluorescent lamps using HPF electronic ballasts.



818-FL Shown in Satin Brass.

818-FL FLOOR LAMP

While slightly larger in scale, the floor version of the 818 features the same clean lines, visual comfort and energy efficiency of its table lamp counterpart.



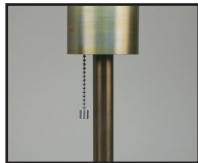
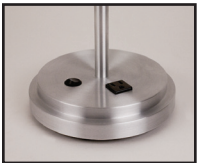
OPTIONS

DOME: Choice of luminous white acrylic or opaque metal.

DIMMING: Electronic dimming ballast with 100-15% dimming range.

CORD: Two conductor cord with polarized plug available in black or white. Specify **BLK** or **WHT**.

CONVENIENCE OUTLET: Electrical power outlet integral to the base available. Specify **CO**. (See photo below.)



Pull chain detail.

VARIATIONS / MODIFICATIONS

- Mixed or special finishes
- Variation in overall height

NOTE: Both the table lamp & floor lamp are available for fixed-base mounting and with or without a switch.

SPEC GUIDE

SAMPLE SPEC: 818-TL-CF1/26-SB-LD-WHT-FAUX

CAT#	LAMP	FINISH	DOME	CORD	OPTIONS
<input type="checkbox"/> 818-TL	<input type="checkbox"/> CF1/26	<input type="checkbox"/> SA	<input type="checkbox"/> BLK	<input type="checkbox"/> BLK	<input type="checkbox"/> FAUX
<input type="checkbox"/> 818-FL	<input type="checkbox"/> LED/12	<input type="checkbox"/> SB	<input type="checkbox"/> WHT	<input type="checkbox"/> WHT	<input type="checkbox"/> DIM
		<input type="checkbox"/> AB			<input type="checkbox"/> CO (Conv. Outlet)



Our fixtures are handcrafted here in the USA using the highest quality materials.