

# 721 IEM

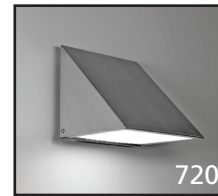
## WEDGE DOWNLIGHT WET LOCATION

Design  
Sustainability  
Value



Shown in Natural Bronze with acrylic lens.

### COMPANIONS



### FEATURES

- Timeless, classic design.
- Cutoff design combined with low glare.
- Available with integral emergency battery.
- Available with photocell and/or OCC sensor.

### LEDs

ARRAYS	WATTAGE	RATED LUMENS	EFFICACY
2-11W	22W	3380	154 lm/w
2-16W	32W	4380	151 lm/w
2-10W	40W	5800	145 lm/w

Standard LEDs are 3000K and 80CRI. 90CRI available.  
Available CCT: 2700K and 3500K at no additional charge.

### AMBER LEDs

ARRAYS	WATTAGE	RATED LUMENS	EFFICACY
2-7W	14W	2000	143 lm/w
2-13W	26W	3400	130 lm/w
2-25W	50W	7000	140 lm/w

Amber LEDs are 2200K and 65CRI. Go **HERE** to learn more about amber LEDs.

### DRIVERS

Standard drivers are 120/277V and 0-10V dimming. Triac/ELV drivers are available.

### MATERIALS

- Solid bronze, aluminum or stainless steel hood. Cast aluminum backplate.
- High transmission clear refractive acrylic for CF & LED.
- Aluminum hexcel louver.
- Refractive glass for MH lamping.

### FINISHES

- SGB** Semi-Gloss Black      **SGS** Semi-Gloss Silver  
**SGW** Semi-Gloss White      **SGBZ** Semi-Gloss Bronze

### PREMIUM FINISHES

- NBZ** Natural Bronze      **CAA** Clear Anodized Aluminum  
**SSS** Satin Stainless Steel      **CCP** Custom Color Painted



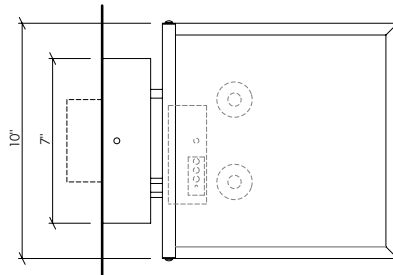
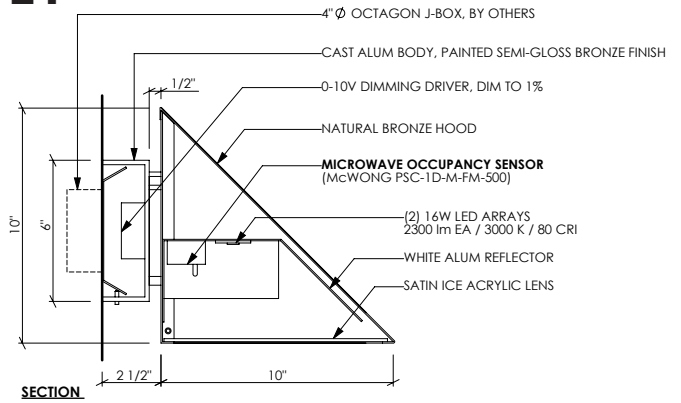
### PHOTOMETRICS

LSI Report No. 30845  
 Note: Fixture was tested with 2-14W LEDs rated at 1410lm each; new LED is rated at 16W and 2415 lm or 70% more.  
 Adjust light levels accordingly.



Shown in Satin SS with optional hexcel louver.

# 721



NOTE: Call factory for CF or MH lamping.

## OPTIONS

**LENS:** Standard lens is Satin Ice, with high transmission and diffusion.

**HEXCELL LOUVER:** Optional Hexcell open louver offers lower glare with higher output directly below, but less light side and front. Specify **HXL**.

**PHOTOCELL:** For photocell, specify **PH**.

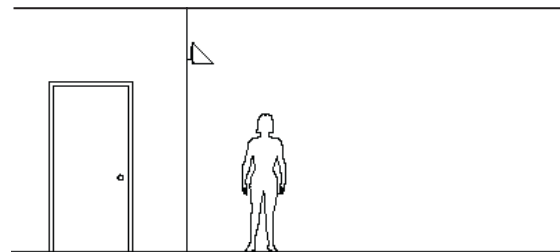
**OCCUPANCY SENSOR:** Microwave occupancy sensor, combined with daylight control, and offers on/off function. Specify **OCC1**. Microwave sensor, combined with daylight control, that allows low power standby. Specify **OCC2**. Note that the sensor is internally mounted and not visible.

**EMERGENCY BATTERY PACK:** Integral battery is available for wattages up to 32W. Specify **IEM**. Note that the IEM option cannot be combined with the occupancy sensor option.

**NOTE:** This fixture is suitable for wet or dry locations. For wet locations use only as a downlight.

**MOUNTING:** Standard J-box or plaster ring.

**WEIGHT:** 6 lbs



## VARIATIONS / MODIFICATIONS

- Special finishes
- Special sizes
- Conduit power feed

## SPEC GUIDE SAMPLE SPEC: 721-LED2/16-120-SGB-HXL

CAT#	LAMPING	VOLT	FINISH	OPTION
<input type="checkbox"/> 721	<input type="checkbox"/> LED/22	<input type="checkbox"/> 120	<input type="checkbox"/> NBZ	<input type="checkbox"/> HXL
	<input type="checkbox"/> LED/32	<input type="checkbox"/> 277	<input type="checkbox"/> SSS	<input type="checkbox"/> PH
	<input type="checkbox"/> LED/40	<input type="checkbox"/> 347 *	<input type="checkbox"/> CAA	<input type="checkbox"/> IEM
	<input type="checkbox"/> LEDAM/14	*call factory	<input type="checkbox"/> SGB	<input type="checkbox"/> OCC1
	<input type="checkbox"/> LEDAM/26		<input type="checkbox"/> SGW	<input type="checkbox"/> OCC2
	<input type="checkbox"/> LEDAM/50		<input type="checkbox"/> SGBZ	
			<input type="checkbox"/> CCP	



Our fixtures are handcrafted here in the USA using the highest quality materials.



Certified by the International Park-Sky Assoc.

