

UPDATED 6/17

303-18 LED

303-24 LED IEM

303-36 LED IEM

303-42 LED IEM

FABRIC SHADE DRUM

Design
Sustainability
Value



Shown with cream linen shade and satin aluminum.



COMPANIONS



FEATURES

- Classic drum shape available with a variety of fabric shades.
- Companion ceiling and wall mounts.
- Optional integral emergency battery pack.
- Available in 18", 24", 36" & 42" diameters.

MATERIALS

- Solid brass, bronze or aluminum metal work, hand finished.
- White acrylic bottom lens.

FINISHES

SAL Satin Aluminum **AB** Antique Brass
SB Satin Brass **CCP** Custom Color Painted finish
 Other metal finishes available. Call factory.

LAMPING

303-18: LED A-LAMPS: 3-GU24 base LED A-lamps, 11w, 1100lm.
 LED ARRAYS & DRIVERS: 2-arrays, 18w and 2600 lm total.
303-24/36/42: LED A-LAMPS: 4-GU24 base LED A-lamps, 11w,
 1100lm, total 44W and 4400lm.
 LED ARRAYS & DRIVERS:
Downlight: 4-arrays, rated at 36W and 5200lm total, or
 4-arrays, rated at 44W and 6800lm total, or
 4-arrays, rated at 64W and 9600lm total.
Uplight: Same arrays available as uplight in addition to
 downlight. LEDs and LED A-lamps are 3000k, 80+CRI

NOTE: CF lamping is available. Call Factory.

DRIVERS

LED A-LAMPS: Electronic driver is built into the lamp, 120V only.
 Dimmable to 10% with most incandescent dimmers.
 LED ARRAYS: Integral drivers are 120/277 and 0-10V dimmable.

ECO INFO

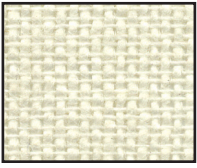
METALS: Aluminum and brass with the highest available recycled content for lower embodied energy. Both metals are valuable and recyclable at the end of the product's useful life. For more information see "SPEC GUIDE."

FINISHING: Aluminum & Antique Brass are sealed with a hand-applied bees wax. No paint or lacquer is used in order to avoid pollution associated with manufacture and application of these substances. Satin Brass are clear-coated with a very low VOC water-based coating. Paint finishes are low VOC and oven cured.

ENERGY: Designed exclusively for compact fluorescent lamps using HPF electronic ballasts or LEDs.

FABRIC SHADE: Available with sustainability produced fabrics that are backed with a US made paper backing, that replaces the standard styrene backing. See OPTIONAL FABRICS on Pg. 2.

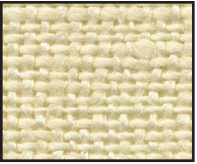




STANDARD FABRIC
Cream Linen (CRE)

NOTE: All fabrics shown greater than actual size.

PREMIUM FABRICS: Imported 100% flax linen.



VAN Vanilla

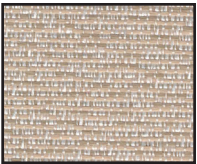


WHT White



OAT Oatmeal

PREMIUM ECO-FABRICS:



DOV
Dove Polyester
Washable & 65% recycled content

Click **HERE** to learn more about shade fabrics

OPTIONS DIMMING: LED A-LAMPS are triac dimmable. LED arrays are 0-10v dimmable.

EMERGENCY BATTERY PACK: Integral EBP available, specify **IEM**, except for 303-18.

FABRIC SHADE: Standard, or default, shade is Cream Linen. Shade fabrics are shown above. Call factory for other fabrics.

TOP COVER: Optional top cover (**TC**). Specify white or clear acrylic.

HANG HEIGHT: Standard overall hang height is 24" (ceiling to bottom of fixture). There is an additional charge for hang heights greater than standard. Minimum recommended is 18." Standard canopy will accommodate sloped ceiling up to 40 degrees.

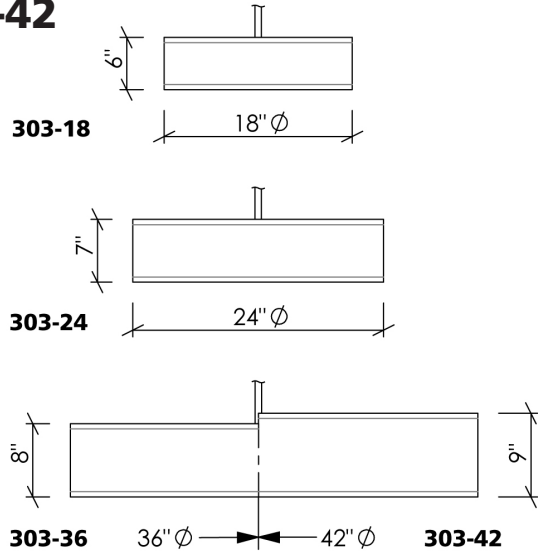
MOUNTING: Standard J-box or plaster ring. Safety cable provided.

SPEC GUIDE

SAMPLE SPEC: 303-24-LED18DN + LED/44UP-277-SAL-24"0A

CAT#	SIZE	LAMPING	VOLT	FINISH	OPTION
303	18	LED3/11 (18")	120	SAL	IEM
	24	LED3/11 (24")	277	SB	TC
	36	LED3/11 (36")		AB	VAN (Vanilla)
	42	LED4/11 (42")		CCP	WHT (White)
		LED/18 DN			OAT (Oatmeal)
		LED/36 DN			OAT (Oatmeal)
		LED/44 DN			DOV (Dove Polyester)
		LED/64 DN			
		LED/36 UP			
		LED/44 UP			
		LED/64 UP			

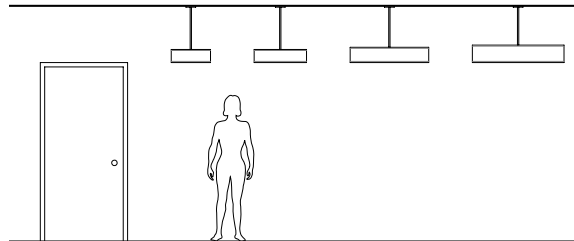
303-18
303-24
303-36
303-42



PHOTOMETRICS

Lighting Sciences Report No. 29245

Fixture efficiency 82.3%
65% uplight & 35% downlight



VARIATIONS / MODIFICATIONS

- Special finishes
- Special shade fabrics
- Addition of decorative detail

NOTE: Standard electronic ballast is multi-volt and multi-wattage. Fixture will accommodate 26, 32 or 42 watt lamps.



IBEW Labelled



Our fixtures are handcrafted here in the USA using the highest quality materials.

