

144 NEW LED
ALUMINUM CYLINDER DOWNLIGHT

145 NEW LED
LUMINOUS CYLINDER DOWNLIGHT

Design
Sustainability
Value



COMPANIONS



FEATURES

- Simple luminous or opaque surface cylinder.
- Purpose-built for LED.
- Companion pendant mount available.
- Acrylic cylinder has matte finish inside and out.

ECO INFO

METALS: Aluminum with the highest available recycled content for lower embodied energy. Aluminum is valuable and recyclable at the end of the product's useful life. For more information see "GENERAL INFO"

FINISHING: Solid, natural metal finishes are sealed with a hand-applied bees wax. No paint or lacquer is used in order to avoid pollution associated with the manufacture and application of these substances. Satin Brass is clear-coated with a very low VOC water-based coating. Paint finishes are low VOC and oven cured.

ENERGY: Designed exclusively for LED HPF drivers.

MATERIALS

144: Solid aluminum metal work, hand finished
145: Extruded white acrylic with a matte finish.

FINISHES

- SAL** Satin Aluminum
- MW** Matte White
- CCP** Custom Color Painted finish

Aluminum finish is hand satined and waxed.

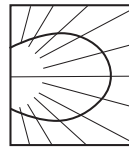
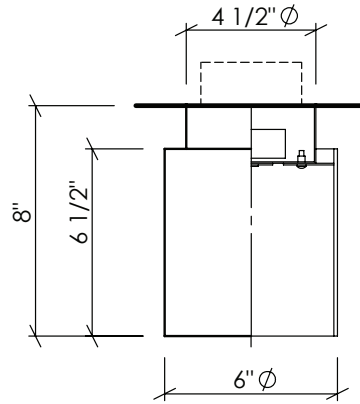
LAMPING

1-9W LED array, 1210lumens each or 1-14W, 1650 lumens each, both 3000K, 80 CRI. LED arrays are replaceable with quick connects.

Driver

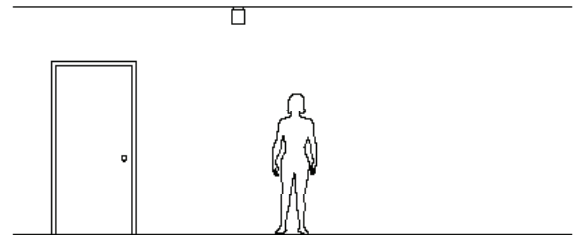
Integral/HPF electronic driver is 120 volt and is triac dimmable. 0-10V dimming available for 120 & 277V.

144
145



PHOTOMETRICS

Lighting Sciences Report No. L091404202
 Fixture Efficacy: 75 lm/w
 Tested with a low LED rated at 1060lm;
 new LED is rated at 9W and 1210lm or 15%
 more. Adjust light levels accordingly.



OPTIONS
DIMMING: Available electronic 0-10V driver with a dimming range of 100-10%, 120/277V

VARIATIONS / MODIFICATIONS

- Special finishes
- Addition of decorative detail

MOUNTING: Standard J-box or plaster ring.

WEIGHT: 3 lbs

SPEC GUIDE SAMPLE SPEC: 145-LED1/10-277-SAL

CAT#	LAMPING	VOLT	FINISH
<input type="checkbox"/> 144	<input type="checkbox"/> LED1/9	<input type="checkbox"/> 120	<input type="checkbox"/> SAL
<input type="checkbox"/> 145	<input type="checkbox"/> LED1/14	<input type="checkbox"/> 277	<input type="checkbox"/> MW
		<input type="checkbox"/> 120/277 DIM 0-10V	<input type="checkbox"/> CCP

IBEW Labelled

LIGHTING FIXTURES

MADE IN USA

Our fixtures are handcrafted here in the USA using the highest quality materials.