

UPDATED 8/15

109-12
109-20 **LEM**



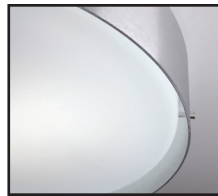
LUMINOUS DRUM

Design
Sustainability
Value

DESIGN: DAVID MALMAN



109-12 shown in Satin Aluminum



FEATURES

- Simple clean design.
- Decorative solid metal ring
- Available in two sizes.
- Tool-free relamping.

ECO INFO

METALS: Aluminum with the highest available recycled content for lower embodied energy. Aluminum is valuable and recyclable at the end of the product's useful life. For more information see "GENERAL INFO"

FINISHING: Aluminum is sealed with a hand-applied bees wax. No paint or lacquer is used in order to avoid pollution associated with the manufacture and application of these substances. Paint finishes are low VOC and oven cured.

ENERGY: Designed exclusively for compact fluorescent lamps using HPF electronic ballasts.

MATERIALS

- Solid aluminum metal work, hand finished
- Luminous drum is white acrylic

FINISHES

SAL Satin Aluminum

MW Matte White

CCP Custom Color Painted finish

Standard metal finishes are hand satined and either waxed or sealed with a water-based clear coat. Other metal finishes are available. Contact factory.

LAMPING

109-12: CF1-CF26, 32 or 42WTTT, Gx24q base.
LED: 2-9W LED arrays, 1210 lm each.

109-20: CF2-CF26, 32 or 42, Gx24q base or T5 40 or 55W.
LED: 2-11W arrays, 1550 lm each.

LED arrays are 3000K, 80 CRI and are replaceable with quick connections.

BALLAST

CF: Integral electronic HPF, 120V/277V.

LED: Integral driver is multi-volt 120/277 and is 0-10V dimmable.

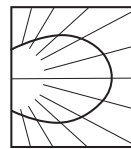
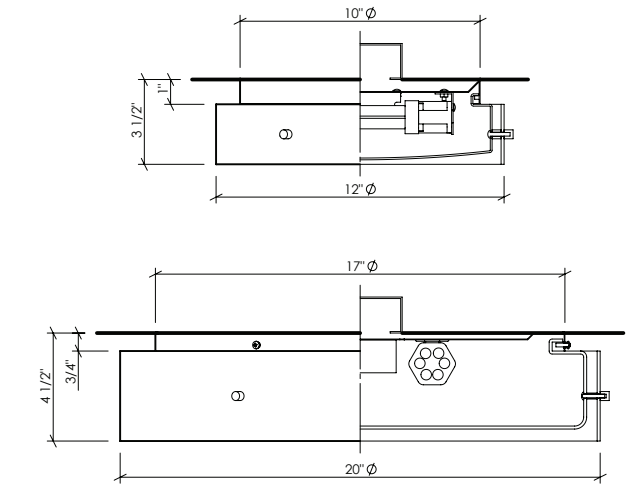




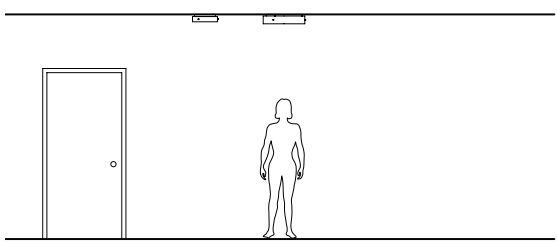
109-12 109-20

109-20 shown in Satin Aluminum.

OPTIONS
EMERGENCY BATTERY PACK: Remote mounted EBP, specify REM for 109-12. Integral EBP with addition of 1 1/4" deep collar for 109-20. Specify IEM. Not available for LED.



PHOTOMETRICS
 Lighting Sciences Report 22412
 Tested with 1-CF26W rated at 1800lm.
 Fixture Efficiency: 31.5%
 Distribution for LEDs is the same; adjust rated lumens accordingly.



NOTE: Standard electronic ballast is multi-volt and multi-wattage. Fixture will accommodate 26, 32 or 42 watt lamps.

MOUNTING: Standard J-box or plaster ring.

WEIGHT: 109-12: 4 lbs
 109-20: 6 lbs

VARIATIONS / MODIFICATIONS

- Special finishes
- Addition of decorative detail
- Punched or laser cut patterns in ring.

SPEC GUIDE SAMPLE SPEC: 109-12-CF1/26-120 -SAL-REM

CAT#	SIZE	LAMPING	VOLT	FINISH	OPTION
<input type="checkbox"/> 109	<input type="checkbox"/> 12 <input type="checkbox"/> 20	<input type="checkbox"/> CF1/26 <input type="checkbox"/> LED2/9 <input type="checkbox"/> CF1/32 <input type="checkbox"/> LED2/11 <input type="checkbox"/> CF1/42 <input type="checkbox"/> CF2/26 <input type="checkbox"/> CF2/32 <input type="checkbox"/> CF2/42 <input type="checkbox"/> T5/40 <input type="checkbox"/> T5/65	<input type="checkbox"/> 120 <input type="checkbox"/> 277	<input type="checkbox"/> SAL <input type="checkbox"/> MW <input type="checkbox"/> CCP	<input type="checkbox"/> REM <input type="checkbox"/> IEM



LIGHTING FIXTURES
MADE IN USA
 Our fixtures are handcrafted here in the USA using the highest quality materials.